

# MIDIPLUS

## Studio 2 User Manual



[www.midiplus.com](http://www.midiplus.com)

# CATALOG

1. Inside the Package
2. Introduction
3. Features
4. Connectivity
5. Explanation
6. Software Installation
7. Technical Parameter
8. Technical Specifications
9. Things to Know

# 1. Inside the Package

- a). STUDIO 2
- b). USB cable
- c). Audio adaptor
- d). User manual
- e). Information card

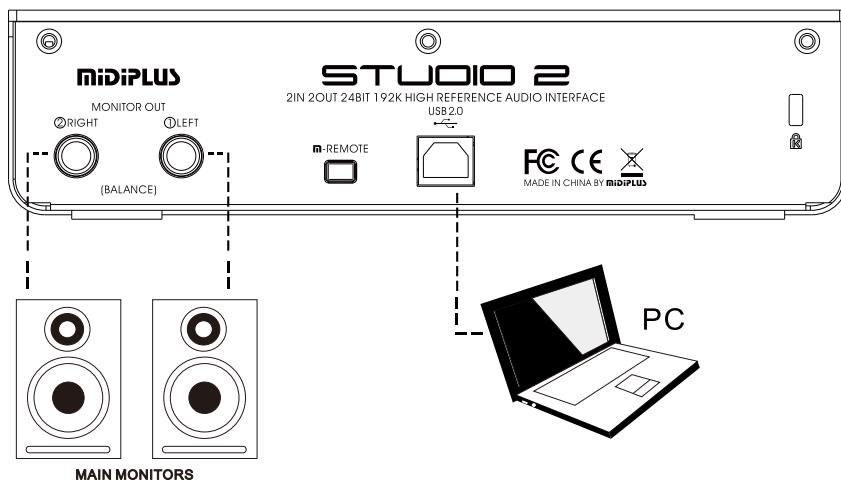
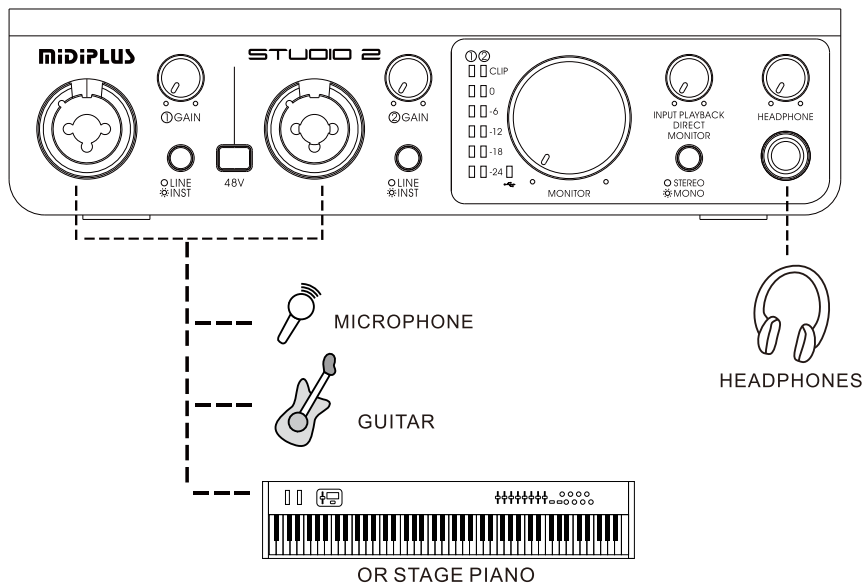
# 2. Introduction

Thank you for buying MIDIPLUS STUDIO 2 USB Sound Card. Studio 2 is a 2-in 2-out audio interface with high quality preamp and 24-bit/96 kHz sampling. It has 48V phantom power and supports USB power input. The data transmission speed of USB 2.0 (3.0 supported) is also satisfactory. Studio 2 has a sleek design with direct monitor, volume level indication LED and a elegant and robust chassis. It works perfectly with Mac and Windows operation systems.

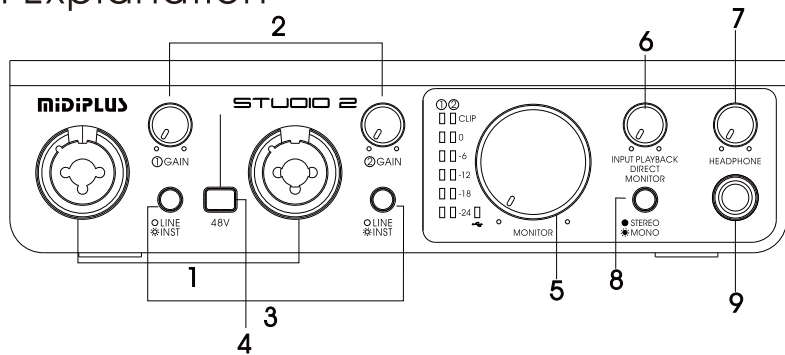
# 3. Features

- 2 High Quality Preamp XLR/TRS Combo
- 2 Parallel 6.35mm Line out
- Stereo Headphone Output with Gain Controllable
- M-Remote Input
- Instrument Input/Line Input Switchable
- 48V Phantom Power
- Stereo/Mono Switchable
- Direct Monitor Control
- Line Output Control
- 24-bit/192 kHz AD/DA
- High Speed USB 2.0 Power Input, Compatible with PC and MAC Systems

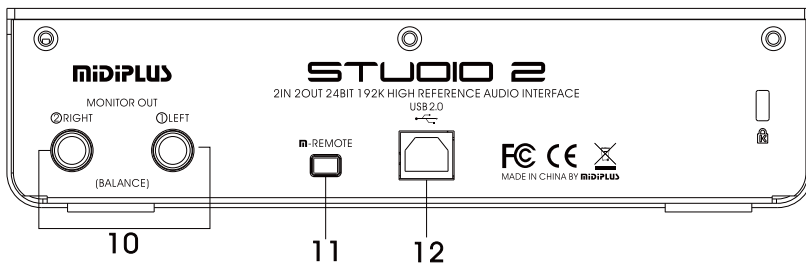
# 4. Connectivity



## 5. Explanation



1. Input interface (Mic/Instrument/Line in) LR channels: For connecting microphone, instrument (e.g. guitar) or line input.
2. Input gain control: For adjusting the signal gain of microphone, instrument or line input. When signal reaches -24dB, LED glows green. When signal reaches 0dB, LED glows red.
3. Mic/Instrument switch : For selecting microphone input or instrument input.
4. 48V phantom power switch: When turned on, 48V phantom power is supplied.
5. Speaker volume control : For adjusting speaker volume. The two LED indicators show the real-time signal levels.
6. Monitor Switch: For adjusting monitor input and output volume levels. The blue light glows.
7. Headphone volume control. For adjusting headphone volume level.
8. Stereo monitor: Glows when turned on. It means monitor works properly.
9. Headphone jack: 6.35mm in parallel stereo headphone output.



10. Speaker jack (L/R): 6.35mm stereo balanced parallel output.

11. Extended equipment jack: For connecting other **MIDIPLUS** equipments.

12. USB jack: Connecting computer for power input and data transmission.

## 6. Software Installation

### 1. Windows 7 or newer:

Follow the instructions below to install STUDIO driver to Windows system:

- a) Connect STUDIO series audio interface to the computer.
- b) A new USB device is detected and the driver installation procedure will start automatically.
- c) Please go to [www.midiplus.com](http://www.midiplus.com) and download STUDIO series driver.
- d) Follow the steps and install the driver.
- e) Once the installation completes, the unit is ready to use with the computer.

### 2. Mac system:

Connect STUDIO series audio interface to the computer. The unit is ready to use.

### 3. System requirement:

#### 4. Basic requirement:

CPU: 350 MHz Pentium II

RAM: 64 MB

System: Windows XP, Windows 7 (32 bit/64 bit), Windows 8, Mac OS X Lion

## 7. Technical Parameter

MIC	
Frequency Response	20Hz – 20kHz +/-0.1 dB
THD+N	-101 (minimum gain -1 dBFS input with 20Hz-20kHz filter)
Equivalent Input Noise (EIN)	< -127dB measured at maximum gain with 150Ω termination (20Hz-20kHz filter)
Gain Range	-4dB to +46dB
Max input Level	+4dBu
Line	
Frequency Response	20Hz – 20kHz +/-0.1 dB
THD+N	-91dB (measured at minimum gain with -1dBFS input and 20 Hz-20kHz bandpass filter)
Noise	-103dBu (20Hz/20kHz bandpass filter)
Signal to Noise Ratio	> 100dB
Gain Range	-17dB to +33dB
Max Input Level	+16dBu
Instrument	
Frequency Response	20Hz – 20kHz +/-0.1 dB



THD+N	-83 dB (measured at minimum gain with -1 dBFS input and 20Hz -20kHz bandpass filter)
Noise	-92 dBu (22Hz/22kHz bandpass filter)
Gain Range	-4dB to +46dB
Max Input Level	+4dBu
Analogue Output Performance	
Nominal Output Level	0dBFS= 10dBu balanced
Frequency Response	20Hz – 20kHz +/- 0.2dB
THD+N	-99dB (measured with -1 dBFS input 20Hz-20kHz filter un-weighted)
Output Impedance	<10Ω
Power Output into 150Ω	15mW
Power Output into 50Ω	30mW
Digital Performance	
Clock sources	Internal clock only
A-D Dynamic Range	105dB A-werghted (all inputs) Converter chipset A-D dynamic range 114dB
D-A Dynamic Range	104dB A-werghted (all outputs) Converter chipset D-A dynamic range 114dB
Supported sample rates	44.1KHz 48Khz 88.2KHz 96KHz 176.4KHz 192KHz

## 8. Technical Specifications

Technical Specifications	
Product	STUDIO 2
Sampling rate	24 Bit/192KHz
Input	2 XLR/TRS Combo
Output	1 headphone output, 2 stereo parallel output
External connectivity	1 M-REMOTE
USB	1 USB 2.0
Phantom Power	48V
Buttons	2 LINE/INST switches , 1 48V phantom power, 1 STEREO/MONO switch
Dials	2 Input gain, 1 headphone volume, 1 INPUT PLAYBACK /DIRECT MONITOR switch
Lights	1 LED display, 1 USB connection indicator, 2 dial indicators
Power supply	USB power input
Dimensions	90*120*48 (mm)
Weight	690g
Accessories	User manual, USB cable, information card, audio adaptor

## 9. Things to Know

1. Operate your units per this manual.
2. Before you clean the unit, turn off the power and unplug the power adaptor and the USB cable. Do not use gasoline, alcohol, acetone or turpentine to clean the unit. Use water and a wet cloth.
3. Place the unit on a rigid surface when operating the unit.
4. Make sure the power cable and USB cable is free of any pressure.
5. When any of the following happens, please unplug the unit and send it to the authorised repair centre:
  - a) Power cable or adaptor is damaged
  - b) The unit is immersed by water or rain
  - c) The unit is dropped and damaged
  - d) The unit is functioning abnormally
6. **MIDIPLUS** will not take the responsibility to recover to damage or data loss due to improper operations.
7. The illustration drawings of the unit in this user manual are for reference only and may be different from the actual unit.

# 目录

- 1.包装清单
- 2.介绍
- 3.特性
- 4.连接示意图
- 5.描述
- 6.软件安装
- 7.技术参数
- 8.技术规格
- 9.注意事项

## 1. 包装清单

- a) STUDIO 2声卡
- b) USB线
- c) 音频转接头
- d) 说明书
- e) 信息卡

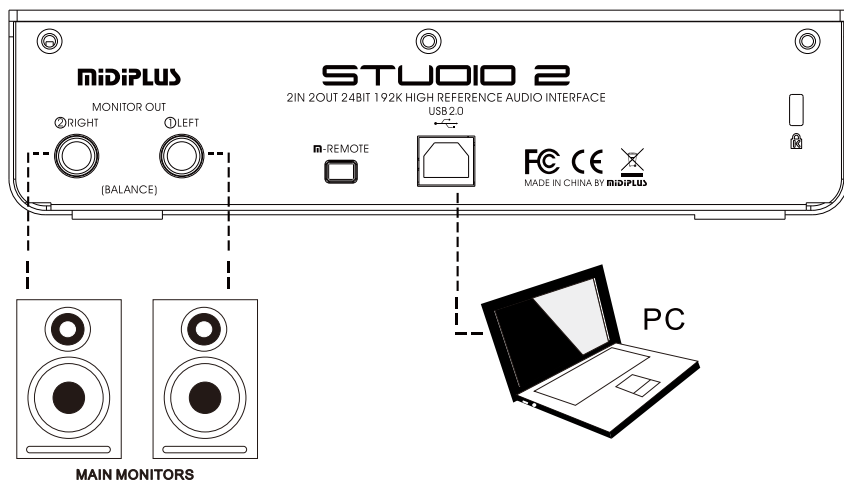
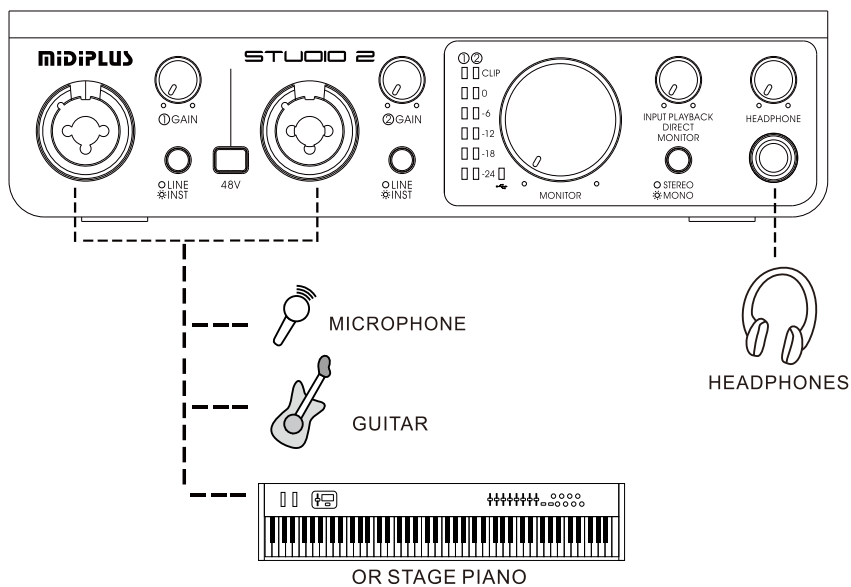
## 2. 介绍

感谢您购买**MIDIPLUS** STUDIO 2 USB声卡。STUDIO 2 是一款二进二出的音频接口，拥有高品质话放与24bit/96kHz高精度采样，带48V幻象供电，支持电脑USB供电，USB2.0（支持3.0）接口传速率也令人满意。Studio 2的外观时尚、零延迟监听、音量指示灯等等，外加精细坚固的外壳。可以在MAC跟window系统下完美使用。

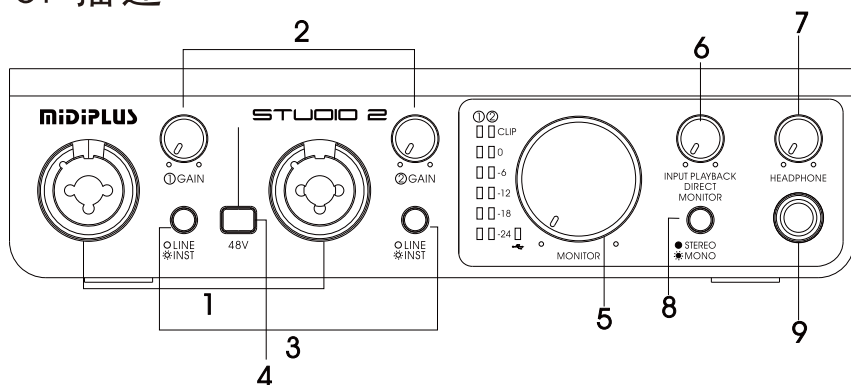
## 3. 特性

- 两路高品质话放，XLR/TRS混合接口
- 两路6.35平衡线路输出
- 一路带增益控制旋钮的立体声耳机输
- 一个M-Remote输入接口
- 乐器输入/线路输入切换开关
- 48V幻象电源
- 立体声/单声道切换开关
- 直接监听控制
- 线路输出控制旋钮
- 24-bit/192kHz 高精度AD/DA换算
- 高速USB2.0供电，同时兼容PC和Mac系统

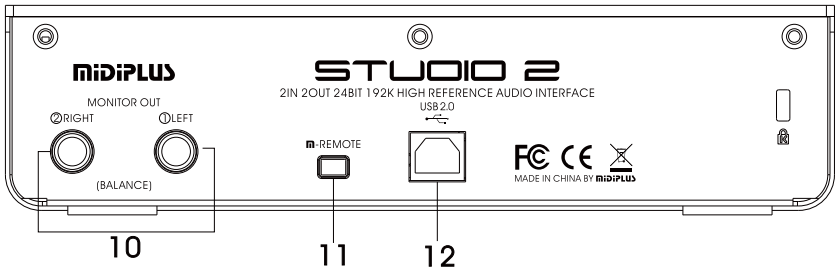
## 4. 连接示意图



## 5. 描述



1. 输入接口(麦克风/乐器/线路输入)左右声道：用于连接麦克风、乐器（例如电吉他）或线路输入。
2. 输入增益调节旋钮：用于调节麦克风、乐器或线路输入的音量增益信号。当音量增益大于-24dB时，指示灯显示为绿色，当音量增益达到0dB时，指示灯显示为红色。
3. 麦克风/乐器切换按键：用于选择麦克风输入或者乐器输入。
4. 48V幻象电源开关：打开时，将提供48V幻象电源。
5. 音箱音量控制旋钮：用于控制音箱音量,且两组跳动的LED指示灯,实时指示着输出信号的幅度。
6. 监听旋钮：用于控制监听输出和监听输入的音量调节。工作时有蓝灯亮着。
7. 耳机音量调节旋钮：用于调节耳机音量大小。
8. 立体声监听：打开设备后亮光，表示正常使用监听功能。
9. 耳机接口：6.35mm非平衡立体声耳机输出接口。



- 10. 音箱接口(左/右): 6.35mm立体声平行输出接口。
- 11. 扩展设备接口: 用于连接其他midiplus扩展设备。
- 12. USB接口: 连接到电脑, 用于供电和数据传输。



## 6. 软件安装

### 1. Windows 7或以上版本：

根据以下方式在Windows系统的电脑中安装STUDIO系列驱动程序：

- a) 将STUDIO系列音频接口连接到你的电脑。
- b) 系统将检测到新的USB驱动并自动安装。
- c) 请登录[www.midiplus.com](http://www.midiplus.com)下载STUDIO系列驱动。
- d) 按照提示安装驱动。
- e) 驱动安装成功后，即可正常使用。

### 2. MAC系统下：

将STUDIO系列音频接口连接到你的电脑即可正常使用。

### 3. 系统要求：

### 4. 最低配置：

CPU: 350 MHz Pentium 11

内存: 64MB RAM

系统要求: XP (32/64) win7 (32/64) win8 以及 Mac OS X Lion

## 7. 技术参数:

MIC	
Frequency Response (频率)	20Hz – 20kHz +/-0.1 dB
THD+N	-101 (minimum gain -1 dBFS input with 20Hz-20kHz filter) 最小增益 -1dB
Equivalent Input Noise (EIN)	< -127dB measured at maximum gain with 150Ω termination (20Hz-20kHz filter)
Gain Range (增益)	-4dB to +46dB
Max input Level (最大输入电平)	+4dBu
Line	
Frequency Response	20Hz – 20kHz +/-0.1 dB
THD+N	-91dB (measured at minimum gain with -1 dBFS input and 20 Hz-20kHz bandpass filter)
Noise (噪声)	-103dBu (22Hz/22kHz bandpass filter)
Signal to Noise Ratio (信噪比)	> 100dB
Gain Range (增益)	-17dB to +33dB
Max Input Level (最大输入电平)	+16dBu
Instrument (乐器输入)	
Frequency Response (频率)	20Hz – 20kHz +/-0.1 dB

THD+N	-83 dB (measured at minimum gain with -1 dBFS input and 20Hz -20kHz bandpass filter)
Noise (噪声)	-92 dBu (22Hz/22kHz bandpass filter)
Gain Range (增益)	-4dB to +46dB
Max Input Level (最大输入电平)	+4dBu
Analogue Output Performance (模块输出)	
Nominal Output Level (标准输出电平)	0dBFS=10dBu balanced
Frequency Response (频响)	20Hz – 20kHz +/- 0.2dB
THD+N	-99dB (measured with -1 dBFS input 20Hz-20kHz filter un-weighted)
Output Impedance (输出阻抗)	<10Ω
Power Output into 150Ω	15mW
Power Output into 50Ω	30mW
Digital Performance	
Clock sources	Internal clock only
A-D Dynamic Range	105dB A-werghted (all inputs) Converter chipset A-D dynamic range 114dB
D-A Dynamic Range	104dB A-werghted (all outputs) Converter chipset D-A dynamic range 114dB
Supported sample rates (支持采样率)	44.1KHz 48KHz 88.2KHz 96KHz 176.4KHz 192KHz

## 8. 技术规格

技术规格	
产品名称	STUDIO 2
采样率	24 Bit/192KHz
输入接口	一路XLR/TRS混合接口,
输出接口	一个耳机输出接口, 两个立体声平衡输出接口
外接设备接口	一个M-REMOTE接口
USB接口	一个USB 2.0接口
幻象电源	48V
按键	一个LINE/INST切换按键, 一个48V幻象电源开关, 一个STEREO/MONO切换
旋钮	两个输入增益旋钮, 一个耳机音量调节旋钮一个INPUT PLAYBACK/DIRECTMONITOR切换旋钮
指示灯	一组LED电平显示灯, 一个USB连接提示灯, 两个旋钮指示灯
电源	USB供电
尺寸	90*120*48 (mm)
总量	690g
附件	用户手册、USB连接线、信息卡、音频转接头

## 9. 注意事项

1. 按照说明书进行操作。
2. 在清洁本机前，请关闭本机电源，拔下本机的电源适配器插头以及 USB 连线。不能使用汽油、酒精、丙酮、松节油等有机溶液。应使用清水.湿布进行清洁。
3. 使用本机时要注意放在固定，以防止本机掉落。
4. 切勿将任何物品压在电源线或数据线上。
5. 发生下列情况时，请拔出连接本机的所有插头，并将到被授权的维修中心维修：
  - a)当电源线或插头损坏或磨损。
  - b)本机已遭受雨淋或水浇。
  - c)本机掉落或机身损坏。
  - d)本机在性能上发生明显的变化。
6. 本公司对产品操作不当或故障造成的损坏，或者数据丢失或损害不承担责任。
7. 本说明书上的插图仅供指导用，可能与实际产品上的显示有所不同。